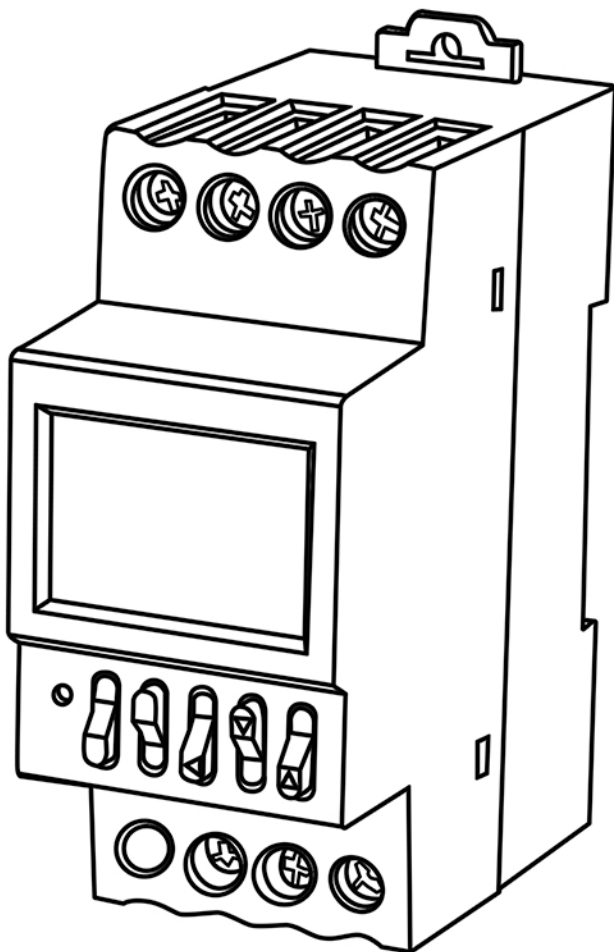




Superior Electric

## **DIGITAL TIMER SWITCH CONTROLLER PROGRAMMABLE**

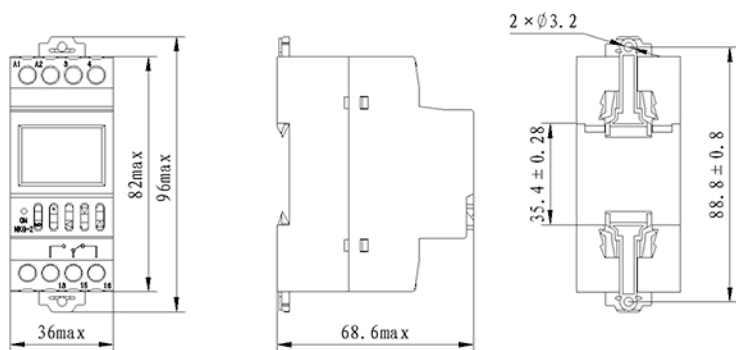


**PART# SW40T**

# DIGITAL BELL TIMER SWITCH - SW40T

## INSTRUCTION MANUAL

1. SW40T Time Switch is bell apparatus featuring control circuit with AC 50Hz / 60Hz, control power voltage of maximum 110V and rated working current of maximum 3.0-Amp. This is a programmable switch which allows you to turn on and off the circuit at predetermined times. For example, in a school, factory or warehouse.  
This product complies with the requirements of IEC 60947-5-1 standard.
2. Normal Operating Condition and Installation Condition
  - 2.1. Rated control power voltage: AC (50Hz): 110V.
  - 2.2. Conventional thermal current: 16Amp.
  - 2.3. Rated working current: AC-15 110V 3.0-Amp.
  - 2.4. Timing error:  $\leq 1s/d$ .
  - 2.5. Bell set: 40 groups.
  - 2.6. Belling time: 1s~99s.
  - 2.7. Electric endurance:  $\geq 10,000$  times.
  - 2.8. Installation method: 35DIN Rail mounting or Screws.
3. Outline, Installation Dimension and Wiring Method
  - 3.1. Outside dimension and installation dimension see Figure 1.



a) Switch outside dimension

b) Switch installation dimension

Figure 1 Outside dimensions and installation dimensions of the switch

### 3.2. Wiring method

#### 3.2.1. Direct control method

Power of the controlled appliance is supplied in single-phase, of which the working current is no more than the rated value of this switch. Direct control method may be adopted for wiring method see Figure 2; for light load with great starting current impact, please adopt AC contactor expansion control method.

#### 3.2.2. Single-phase expansion method

The controlled appliance is power supplied in single-phase, of which the working current exceeds the rated value of this switch. Please adopt AC contactor expansion control method, see Figure 3.

#### 3.2.3. Three-phase operating method

Power of the controlled appliance is supplied in three-phase, so external AC contactor is required hereof.

- a). The coil voltage of the controlled contactor is AC 110V 50Hz, for wiring method see Figure 4.
- b). The coil voltage of the controlled contactor is AC 380V 50Hz, for wiring method see Figure 5.

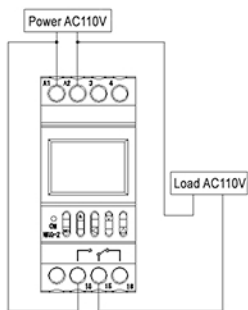


Figure 2 Direct single-phase controlled wiring diagram

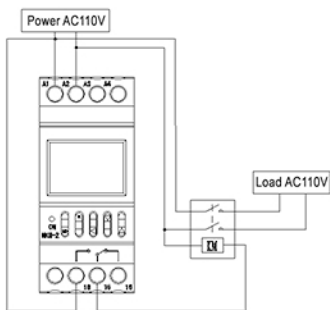


Figure 3 Single-phase expansion controlled wiring diagram

4. Setting and Use

This product panel have five buttons, namely "MD (mode)", "R (recall)", < (left-shift)", "▽" (down) and "△" (up).

4.1. For setting up time of belling, see Figure 6.

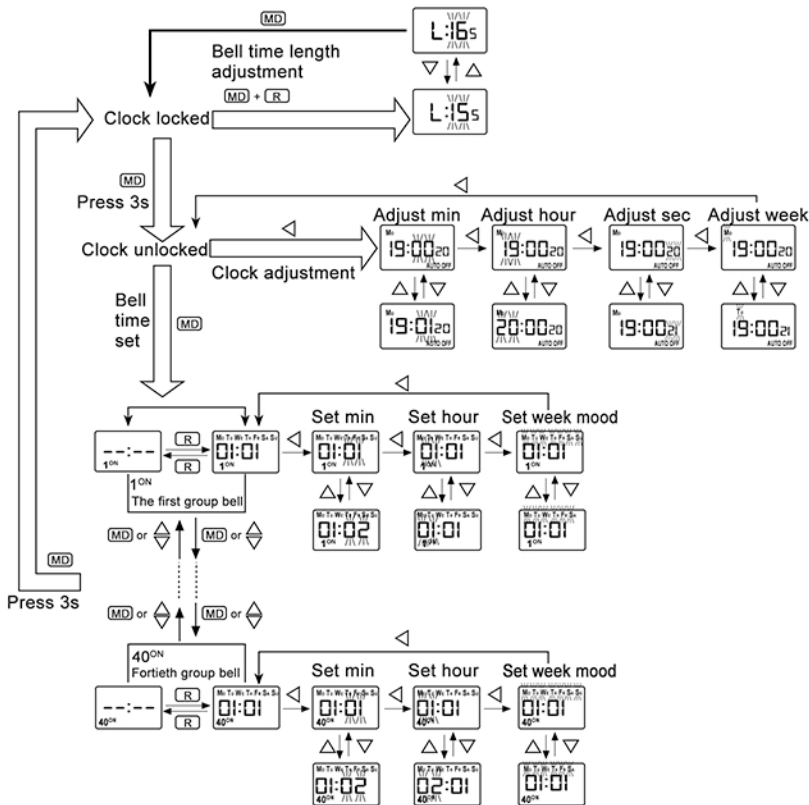


Figure6

4.2. Setting processes are as follows:

4.2.1. Current date and current time adjustment

4.2.2. Press button "MD" for 3s to unlock, the switch, so that "LOCK" may disappear, Press "<" to adjust the time and press "△" and "▽" to plus and minus respectively, so as to adjust the display time to the current time, see Figure 7.



Figure7

4.2.3. Timing parameters setting

4.2.3.1 After finishing operation 4.2.2, press "MD" + "R" to set the ringing duration of the bell, see Figure 8. It means ring the bell for 15 seconds. After setting, press "MD" key to exit.

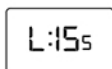


Figure8

4.2.3.2. Set first ring of bell time: press the "MD" button to set first bell time, respectively, according to " "turn into minutes, hours, weeks mode setting, then set bit flashes, such as Figure 9, press the "+" "-" buttons to set Working clock, The days will work on behalf of the week mode of light. After setting, press "MD" key to enter 2ON (second group of bell) time set.

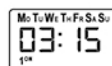


Figure9

4.2.3.3. Set second ring of bell time:same steps as 4.2.3.2, such as Figure10.



Figure10

4.2.3.4. Repeat the above steps to Complete all bell time settings, press the "R" key to remove the ring time, then LCD display "--:--", As shown in Figure11, again press the "R" button can recall the recent settings.

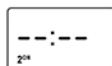


Figure11

4.2.4. When the setting is completed, press the "MD" button for 3 seconds to exit the settings until the "LOCK" character shows up, as Figure12 shows.

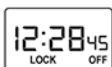


Figure12

- 4.3. After locking the switch, press "MD" and "+" at the same time to switch manual/automatic status. Continuously press them together, the screen will show "AUTO OFF", "ON", "ON AUTO" and "OFF" successively, see Figure 13. When the circuit shall be on and off temporarily in the process of operation, the combination buttons can be used to adjust the switch to ON and OFF; if the time switch shall work automatically according to the set time, the combination button shall be used to adjust the switch to "ON AUTO", then the time switch may work as set, so as to achieve automatic control.

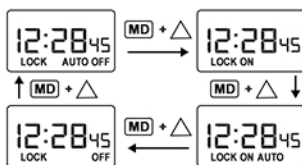


Figure13

## 5 Notice

- 5.1. The switch into the line can only be connected to AC110V power supply.
- 5.2. If you can not achieve automatic control function, Check the lower right corner of the screen (AUTO) is right shown.
- 5.3. The internal battery can only provide the LCD screen display and settings, such as A1, A2 terminal auxiliary power out, is unable to drive the relay output.
- 5.4. If the user find errors in the products, Through short 3, 4 terminal reset, After reset, bell timings need to set again.